



SAFE-T-RACK
by remote solutions, llc

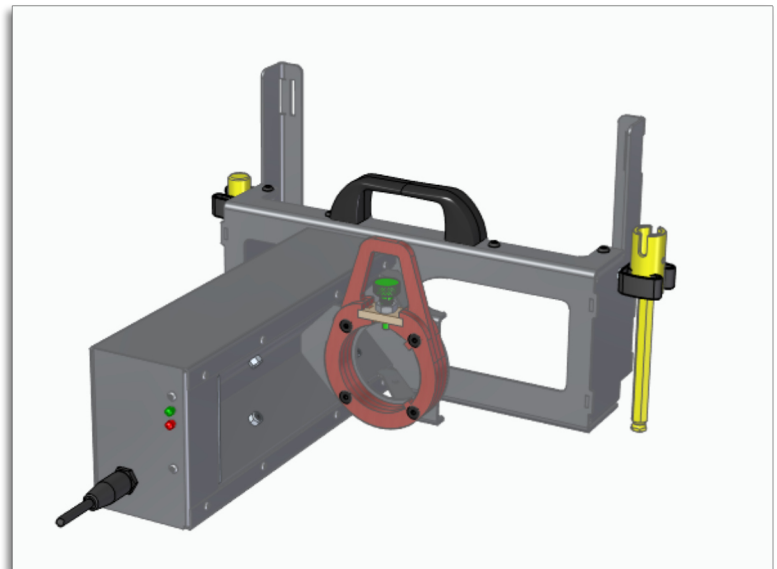
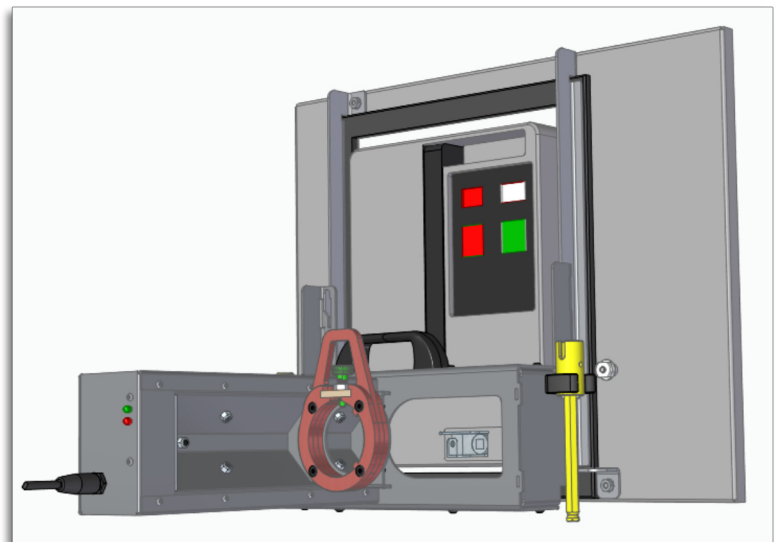
Cutler Hammer Magnum DS

Supported by the SR-U Remote Racking Controller

Application Summary

Functions/Features

- Racks the Cutler Hammer Magnum DS breakers
- Simple installation and use
- Does not interfere with existing manual racking systems
- Impact and moisture resistant polymer storage case



Because Distance is the Best Arc Flash Protection



REMOTE SOLUTIONS, LLC

2475 N. Jackrabbit Avenue • Tucson, AZ 85745 • (520) 628-4378 • FAX (520) 628-4568 • Safe-T-Rack.com